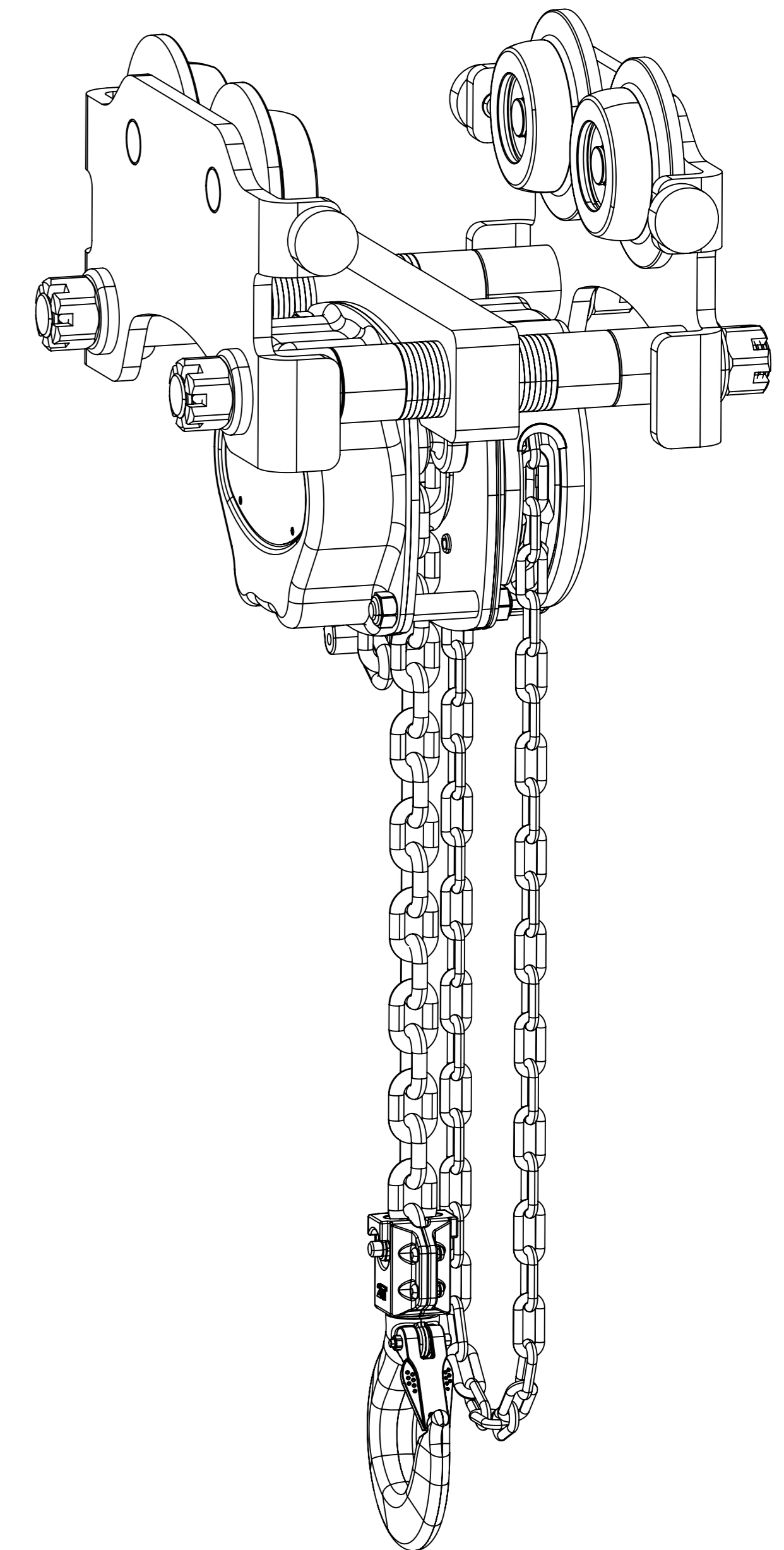
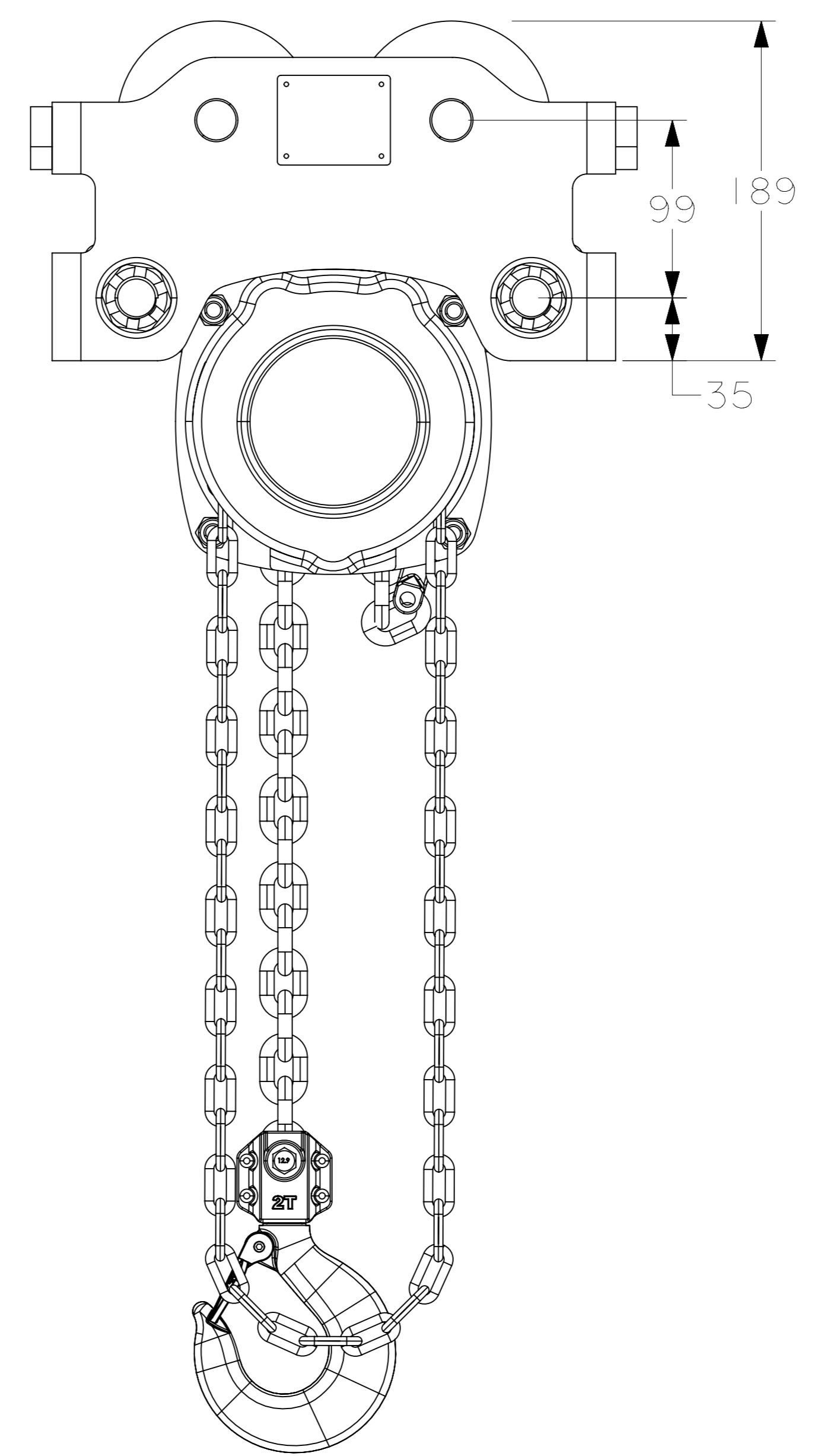
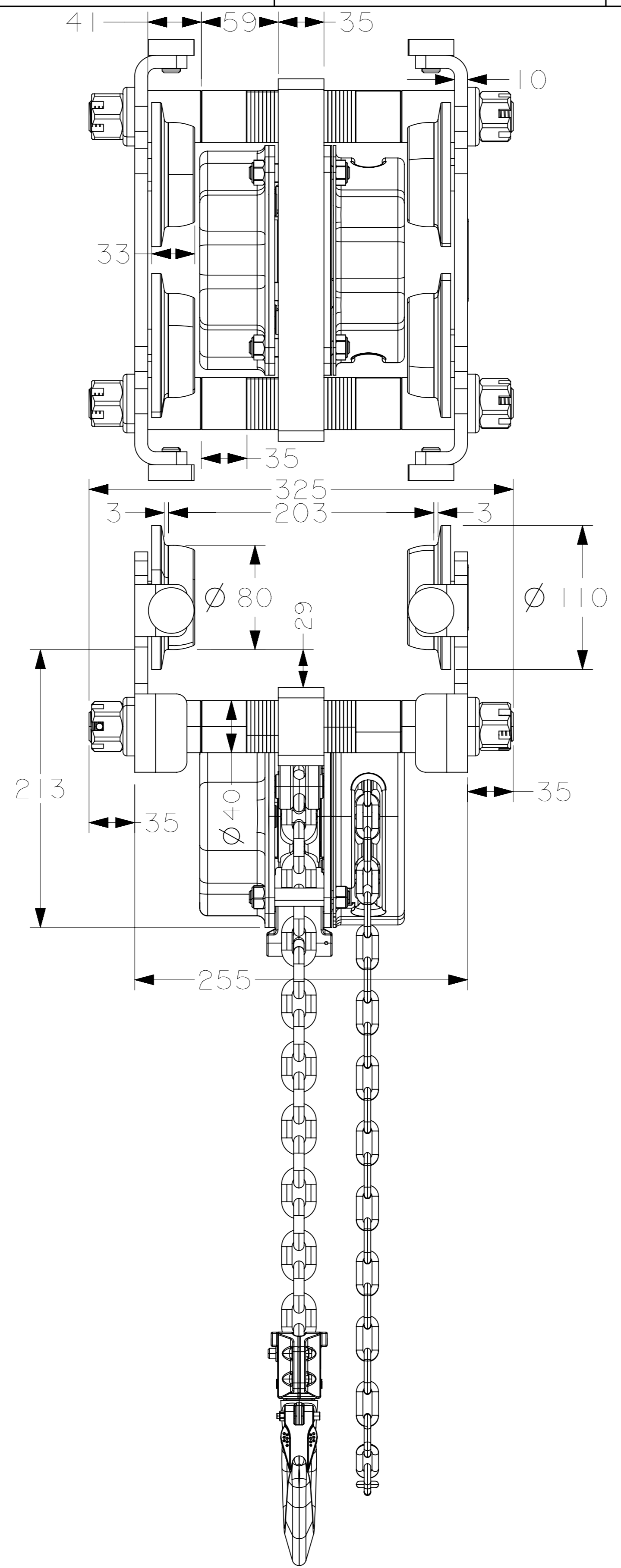
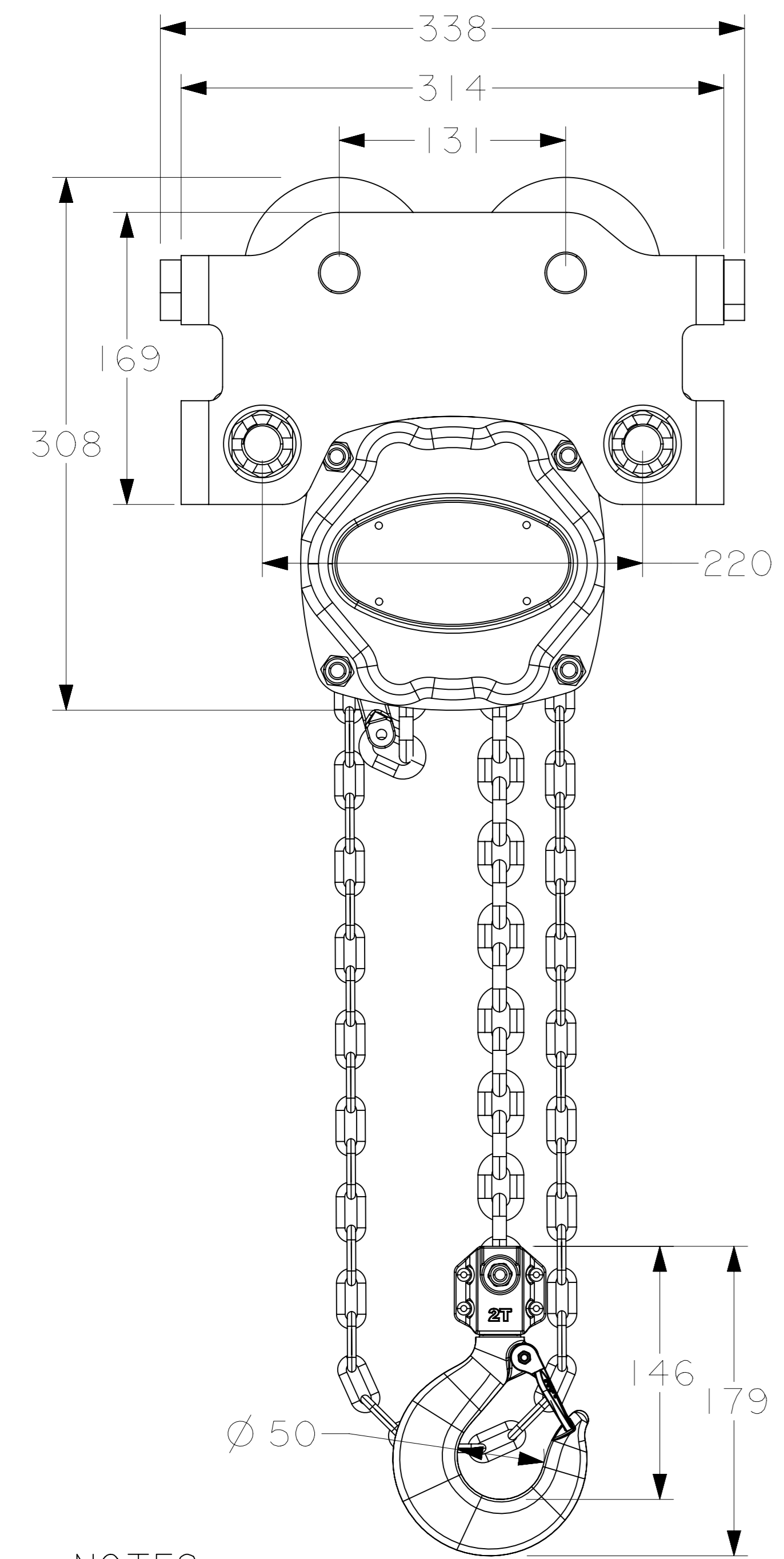


DRAWING NUMBER		4
TOLERANCE FOR METAL		
DIVISION	TOLERANCE	
-3	±0.05	
3-6	±0.05	
6-30	±0.10	
30-120	±0.15	
120-400	±0.20	
400-1000	±0.30	
1000-2000	±0.50	

REVISIONS				
REV	ZONE	DESCRIPTION	ECR	CHECKED



- NOTES
- LHT-H-020L, RATED CAPACITY 2.0T.
  - FLANGE WIDTH 88-203mm, MAX. FLANGE WIDTH 305 CAN BE MAKE.
  - HAND CHAIN SPEC. 5X25mm. THE MIN HEADROOM 359mm.
  - SHAFT DIA.=29mm. THE THK35mm SLEEVE 4PCS, THK3mm SLEEVE 32PCS.

<p>PLANETA Haben ohne Grenzen</p> <p>"THIS DRAWING BELONGS TO PLANETA LIFTING CO.,LTD., ITS CONTENTS ARE CONFIDENTIAL AND PROPRIETARY AND SHALL NOT BE DISCLOSED TO OR USED BY OR FOR OUTSIDE PARTIES WITHOUT PLANETA LIFTING CO.,LTD'S WRITTEN CONSENT."</p>	UNLESS OTHERWISE SPECIFIED DIMENSIONS ARE IN MILLIMETERS. FOR ALL UNSPECIFIED DIMENSIONS PLEASE REFER TO THE CAD FILE. DO NOT SCALE. USE DIMENSIONS ONLY. DIMENSION & TOLERANCE PER DIN ISO 2768-F FIRST ANGLE PROJECTION	DRAWN BY: JACKY DATE: 19/06/06 CHECKED BY: _____ DATE: _____ APPROVED BY: _____ DATE: _____ MATERIAL: NA	DATE: _____ TITLE: PLANETA LIFTING CO.,LTD LHT-H-020L 2.0T SIZE: 4 DRAWING NUMBER: _____ SCALE: NA SHEET 1 OF 1
	PLANETA LIFTING CO.,LTD LHT-H-020L 2.0T SIZE: 4 DRAWING NUMBER: _____ SCALE: NA SHEET 1 OF 1		